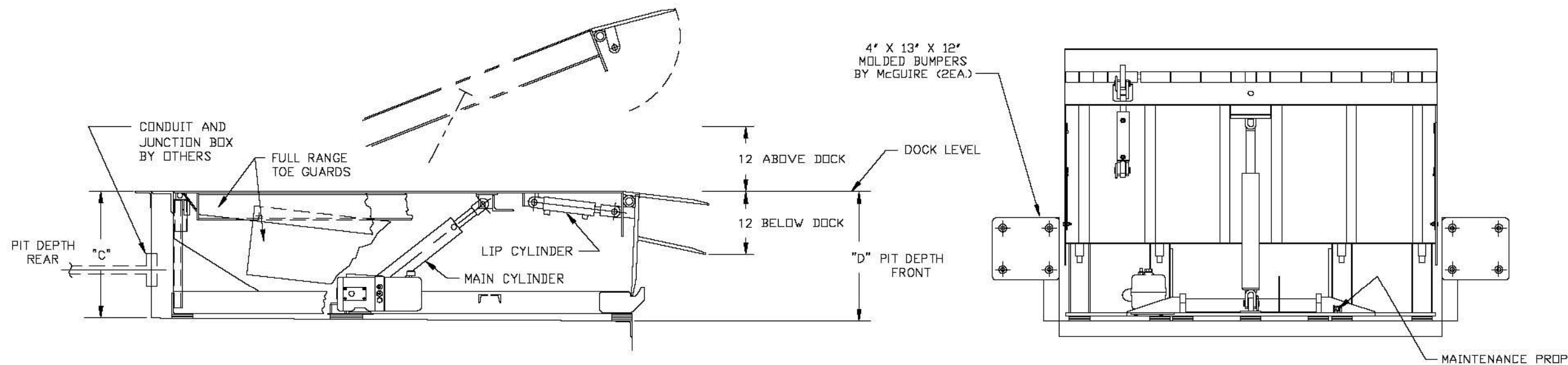


SELECT	MODEL #	NOMINAL SIZE	"A"	"B"	"C"	"D"
<input type="checkbox"/>	H-66	6'X6'	74"	63"	19 1/2"	20"
<input type="checkbox"/>	H-68	6'X8'	74"	87"	19 1/2"	20"
<input type="checkbox"/>	H-610	6'X10'	74"	111"	23 1/2"	24"
<input type="checkbox"/>	H-656	6.5'X6'	80"	63"	19 1/2"	20"
<input type="checkbox"/>	H-658	6.5'X8'	80"	87"	19 1/2"	20"
<input type="checkbox"/>	H-6510	6.5'X10'	80"	111"	23 1/2"	24"
<input type="checkbox"/>	H-76	7'X6'	85"	63"	19 1/2"	20"
<input type="checkbox"/>	H-78	7'X8'	85"	87"	19 1/2"	20"
<input type="checkbox"/>	H-710	7'X10'	85"	111"	23 1/2"	24"
SELECT CAPACITY						
<input type="checkbox"/> 45,000 LB (CIR)				<input type="checkbox"/> 55,000 LB (CIR)		

STANDARD 45K & 55K "H" SERIES FEATURES
 NEMA 12 CONTROLS
 1 1/4 HP FRAME MOUNTED SINGLE OR 3 PHASE MOTOR
 FULL RANGE TELESCOPING TOE GUARDS
 CROSS TRAFFIC SUPPORT
 INTEGRAL TAMPERPROOF VELOCITY SAFETY STOP
 LOCKOUT/TAGOUT MAINTENANCE STRUT
 16" YIELDABLE LIP
 3 WHEEL FORKLIFT PROTECTION
 STRUCTURAL CHANNEL REAR FRAME SUPPORTS
 STRUCTURAL I BEAM AND C CHANNEL DECK SUPPORTS
 GREASE FITTINGS
 NIGHT LOCK SECURITY
 CLEAN SWEEP FRAME
 TWO (2) 4" X 12" X 13" MOLDED BUMPERS

OPTIONAL 45K & 55K "H" SERIES FEATURES

- AUTO RETURN TO DOCK
- 18" LIP
- 20" LIP
- 24" PIT CONVERSION
- YELLOW & BLACK TOE GUARD SAFETY TAPE
- RUBBER WEATHER SEALS (SIDES ONLY REQUIRED)
- BRUSH WEATHER SEALS (SIDES ONLY REQUIRED)
- QUICK CYCLE LIP EXTEND BUTTON
- MUSHROOM STYLE EMERGENCY STOP BUTTON
- CLEAN PIT (FRAME REMOVED)
- OPTIONAL BUMPERS PLEASE SPECIFY
- BL-2 BARRIER LIP
- NON METALLIC NEMA 4 CONTROL BOX (NON INTERLOCK)
- MISC



Customer:		Certified For Construction:	
Job:		By:	
Location:		Date:	
Number of Units:		Company:	
Model:		City & State:	
Size:			
Represented By:		Voltage:	
Sales Rep:		Drawing #:	

AVAILABLE VOLTAGES (SELECT ONE)

- 110/115/120/1/60
- 208/220/230/3/60
- 208/220/230/1/60
- 440/460/480/3/60

TOLERANCES UNLESS OTHERWISE SPECIFIED		DRAWN	McGUIRE AUTODOCK	
DECIMAL DIMENSION FRACTIONAL DIMENSION	+ .015 / - .010	TSB	45K & 55K H SERIES	
OR DIA. ± .010	HOLE DIA. DIMENSION +.005 / - .005	DATE	HYDRAULIC LEVELER	
ANGLE DIMENSION	± .5 DEG.	9/11/08	GENERAL ARRANGEMENT	
 W.B. McGUIRE Co., Inc.		SCALE	DRAWING NUMBER	
		NTS	REV	
CHECKED	TSB	H45-55		