

NOTE:  
LIP TAPERED TO 78° ON  
7' WIDE LEVELERS ONLY

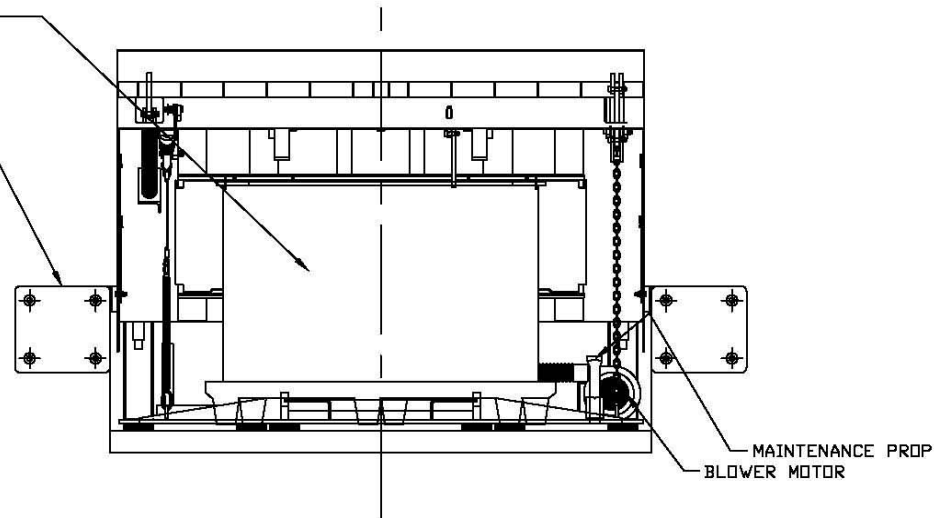
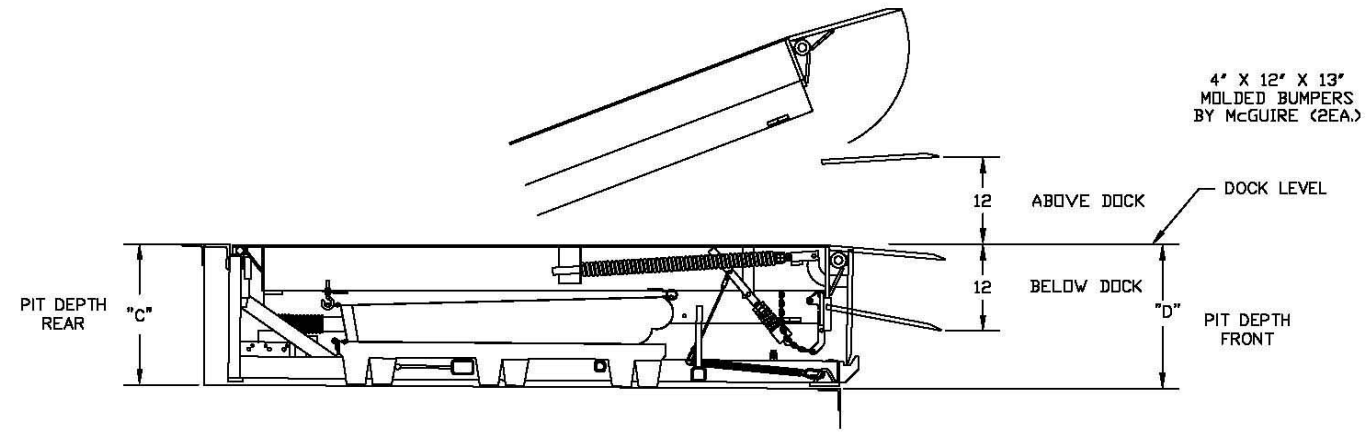
SELECT	MODEL #	NOMINAL SIZE	"A"	"B"	"C"	"D"
<input type="checkbox"/>	MA-66	6'X6'	74"	63"	19 1/2"	20"
<input type="checkbox"/>	MA-68	6'X8	74"	87"	19 1/2"	20"
<input type="checkbox"/>	MA-610	6'X10'	74"	111"	23 1/2"	24"
<input type="checkbox"/>	MA-6.56	6.5'X6'	80"	63"	19 1/2"	20"
<input type="checkbox"/>	MA-6.58	6.5'X8'	80"	87"	19 1/2"	20"
<input type="checkbox"/>	MA-6.510	6.5'X10'	80"	111"	23 1/2"	24"
<input type="checkbox"/>	MA-76	7'X6'	85"	63"	19 1/2"	20"
<input type="checkbox"/>	MA-78	7'X8'	85"	87"	19 1/2"	20"
<input type="checkbox"/>	MA-710	7'X10'	85"	111"	23 1/2"	24"

SELECT CAPACITY			
<input type="checkbox"/> 25,000 LB (CIR)	<input type="checkbox"/> 30,000 LB (CIR)	<input type="checkbox"/> 35,000 LB (CIR)	<input type="checkbox"/> 40,000 LB (CIR)
<input type="checkbox"/> 45,000 LB (CIR)		<input type="checkbox"/> 55,000 LB (CIR)	

**STANDARD "MA" FEATURES**

- SINGLE PHASE 115V MOTOR WITH SINGLE BUTTON CONTROL
- MULTI-POSITION STRUCTURAL STEEL SAFTY LEGS
- BELOW DOCK END-LOADING CONTROL
- FULL RANGE TOE GUARDS
- 16" YIELDABLE LIP
- STRUCTURAL STEEL SUPPORT MEMBERS-45K&55K
- 3-WHEEL FORK TRUCK PROTECTION-45K&55K
- STEEL CHANNEL DECK SUPPORT MEMBERS-25K,30K,35K&40K
- GREASE FITTINGS
- LOCKOUT/TAGOUT MAINTENANCE STRUT AND LIP STRUT
- LIP HOLD GAS CYLINDER
- NIGHT LOCKS/CROSS TRAFFIC SUPPORT
- CLEAN SWEEP FRAME
- TWO (2) 4" X 12" X 13" MOLDED BUMPERS



**OPTIONAL "MA" SERIES FEATURES**

- 18" LIP
- 20" LIP
- B2 BARRIER LIP OPTION
- 24" PIT CONVERSION
- 3 WHEEL FORKLIFT PROTECTION (25K THRU 40K)
- RUBBER WEATHER SEALS (SIDES ONLY REQUIRED)
- BRUSH WEATHER SEALS (SIDES ONLY REQUIRED)
- OPTIONAL BUMPERS PLEASE SPECIFY
- FOAM INSULATED DECK
- MISC

Customer:		Certified For Construction:	
Job:		By:	
Location:		Date:	
Number of Units:		Company:	
Model:		City & State:	
Size:			
Represented By:		Voltage:	
Sales Rep:		Drawing #:	

MATERIAL SPECIFICATION		DRAWN TSB		McGUIRE MA SERIES	
TOLERANCES UNLESS OTHERWISE SPECIFIED		DATE 6/24/09		AIR POWERED LEVELER	
DECIMAL DIMENSION FRACTIONAL DIMENSION ± 1/16		SCALE NTS		GENERAL ARRANGEMENT	
1/2 DR DIA ± 0.005 HOLE DIAMETER +0.005/-0.005		CHECKED TSB		DRAWING NO/PART NO. NEWMA25-55GA	
.000 ± 0.010 ANGULAR DIMENSION ± 1 DEG		W.B. McGUIRE Co., Inc.		REV	